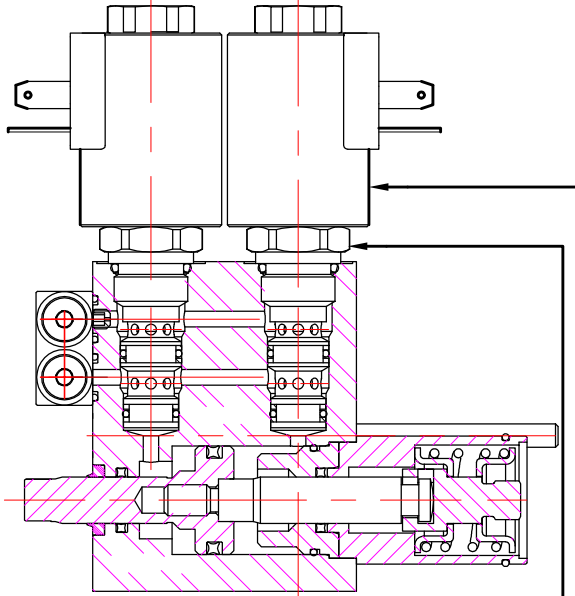
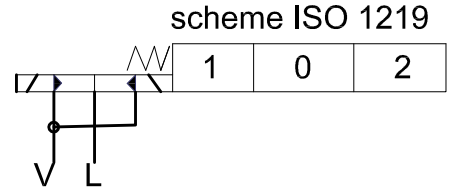
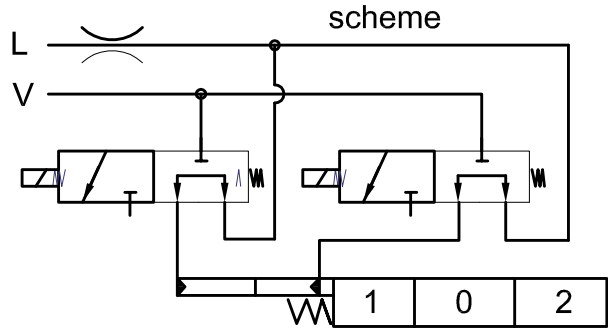


Распределитель гидравлический PC 70  
 Directional control valve PC 70

ED3 – electro-hydraulic control ON-OFF  
 Электрогидравлический контрол ON-OFF

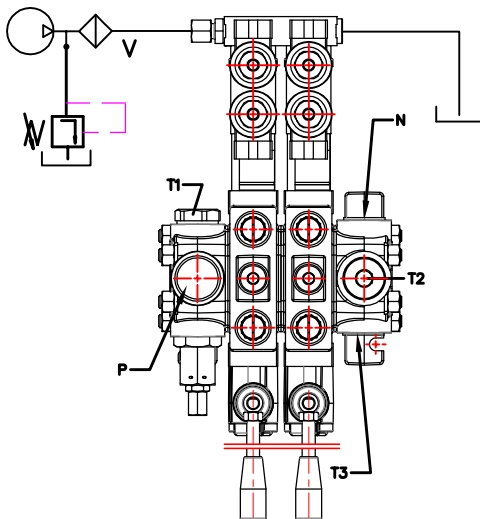


Ordering codes  
 3-way solenoid valve-LSV2-08-3C-NNN  
 coil LC2-08-C-1H-(12VDC)  
 coil LC2-08-C-2H-(24VDC)

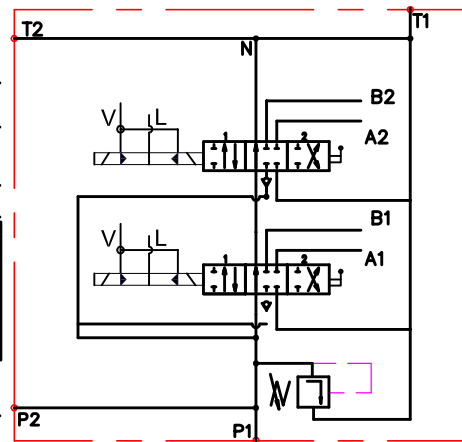


Operating pressure min 10 bar(145 psi)  
 max 50 bar(725 psi)  
 Max operating pressure in L (T line) 25 bar(360 psi)  
 Solenoid operating features  
 Nominal voltage tolerance ±10%  
 Power rating 24W  
 Duty cycle 100 %

With collector kit for external pilot and drain – CEED...(1,2,3 ...)  
 Коллектор для внешнего питания управления и слив



2PC70/N2/1/PAED3/PAED3 /G/KZ1/T2/CEED2/12VDC



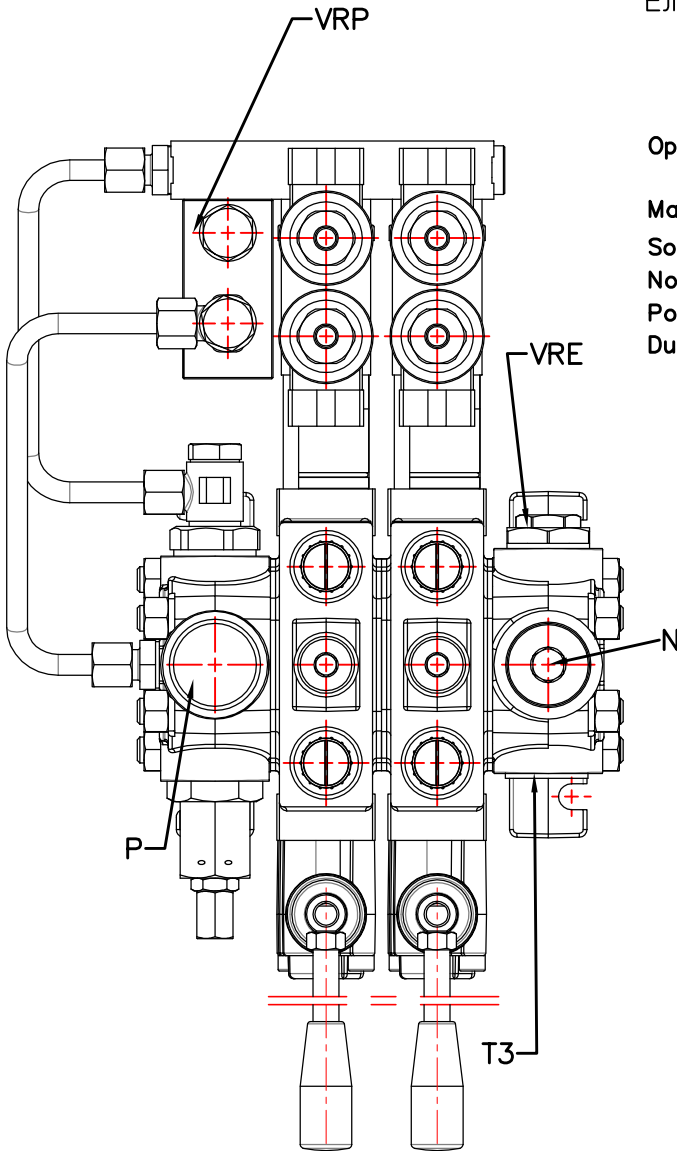
Ordering example  
 2PC70/N2/1/PAED3/PAED3 /G/KZ1/T2/CEED2/12VDC

Ordering codes – collector kits

CEED1PC70	Kit for 1 section
CEED2PC70	Kit for 2 section
CEED3PC70	Kit for 3 section
CEED4PC70	Kit for 4 sektion
...	

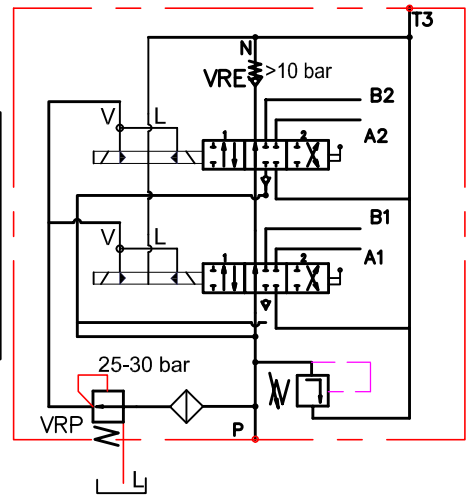
Распределитель гидравлический PC 70  
Directional control valve PC 70

ED3 – electro-hydraulic control ON-OFF  
Электрогидравлический контрол ON-OFF



Operating pressure min 10 bar(145 psi)  
max 50 bar(725 psi)  
Max operating pressure in L (T line) 25 bar(360 psi)  
Solenoid operating features  
Nominal voltage tolerance ±10%  
Power rating 24W  
Duty cycle 100 %

2PC70/N2/VRP/1/PAED3/PAED3/T3/G/KZ1/CED2/VRE/12VDC

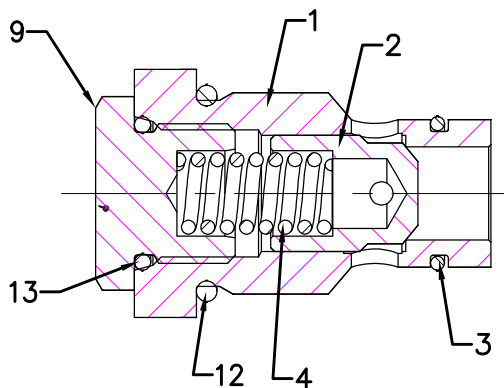


Ordering example

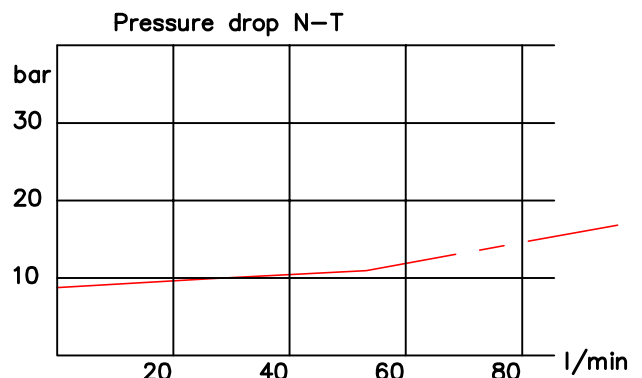
2PC70/N2/VRP/1/PAED3/PAED3/T3/G/KZ1/CED2/VRE/12VDC

Colector kit – Ordering codes  
BSP threads  
CED1PC70 Kit for 1 section  
CED2PC70 Kit for 2 section  
CED3PC70 Kit for 3 section  
CED4PC70 Kit for 4 sektion  
.....

Back pressure valve VRE-PC70  
Клапан подпорный на слив



2 / 2



jan 2013