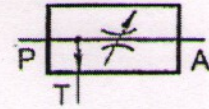


FLOW CONTROL VALVE THREE-WAY

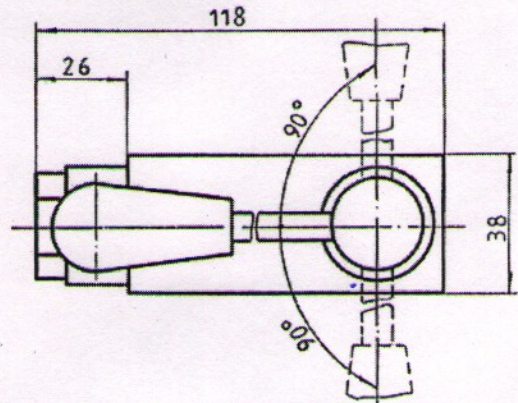
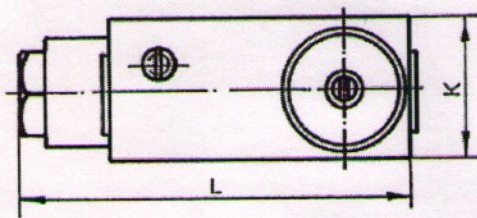
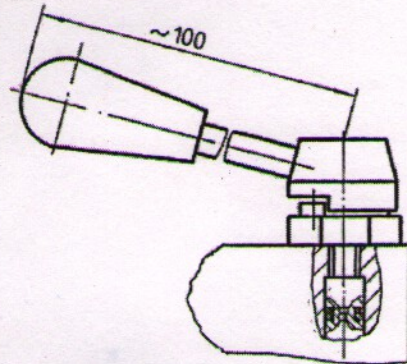
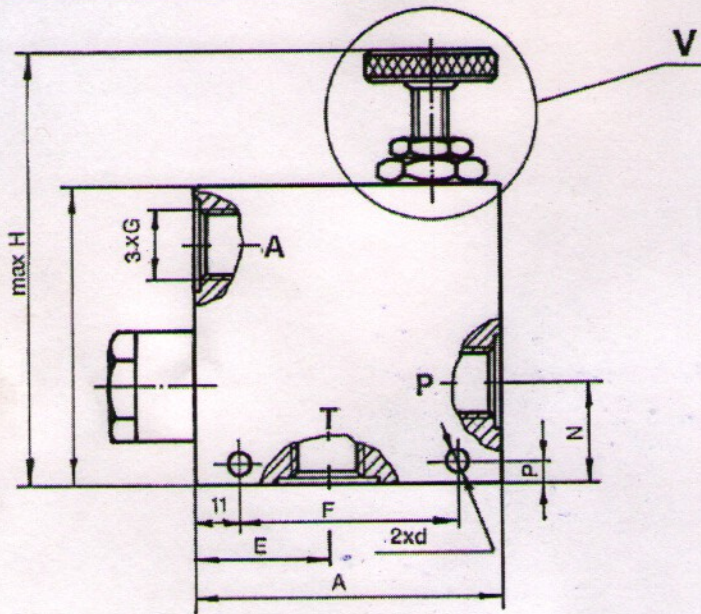
VRF C3/ .. / ..

Way of ordering

Type	V	R	F	C3	/				
Handle design -	<table border="1"> <tr> <td>V</td> </tr> <tr> <td>L</td> </tr> </table>							V	L
V									
L									
Port threads G 3/8 -	38								
Port threads G 1/2 -	12								
Port threads G 3/4 -	34								



V
VRF C3/L/ ...
Realization with handle



TYPE	Q max l/min	Q nom l/min	P nom bar	G	A	B	E	F	N	P	K	H	L	d
VRF C3/V/38A	50	40	250	G 3/8"	86	83	39	64	28	6	38	120	112	6.5
VRF C3/L/38A	50	40		G 3/8"										
VRF C3/V/12A	70	60		G 1/2"										
VRF C3/L/12A	70	60		G 1/2"										
VRF C3/V/34A	120	100		G 3/4"										