

Description

Назначение и область применения

For starting, controlling and stopping the working fluid between the generator of pressured flow, the consumers at the Tank. Предназначен для изменения направления потока, ограничения давления рабочей жидкости гидролиниях, разгрузки насоса в нейтральной позиции золотников.

Specifications

Основные показатели:

1. Valve monoblock	моноблок
Конструктивное выполнение	2 bolts M8
2. Mounting	
Крепление	internal thread
3. Pressure connections	внутренние резьбы
Присоединительные отверстия	-40C...+60C
4. Ambient temperature	
Температура воздуха	mineral oil based hydraulic oil
5. Pressure medium	
Рабочая жидкость	12...800 mm ² /s permissible range
6. Viskosity	20...100 mm ² /s recommended range
Кинематическая вязкость	- 15C...+80C
7. Fluid temperature	Oil contamination 10 to NAS1638
8. Filtration	P = 250 bar
9. Max. operating pressure	T = 50 bar
Давление max. bar	A, B = 300 bar
10. Leakage	15 cm ³ /min at 120 bar
Внутренние потери (A, B – T)	
11. Nominal flow	40 l/min (see “operating” diagram)
Разход рабочей жидкости	
12. Spool stroke	± 6 mm
Ход золотника	
13. Actuating force	< 200 N in spool axis direction

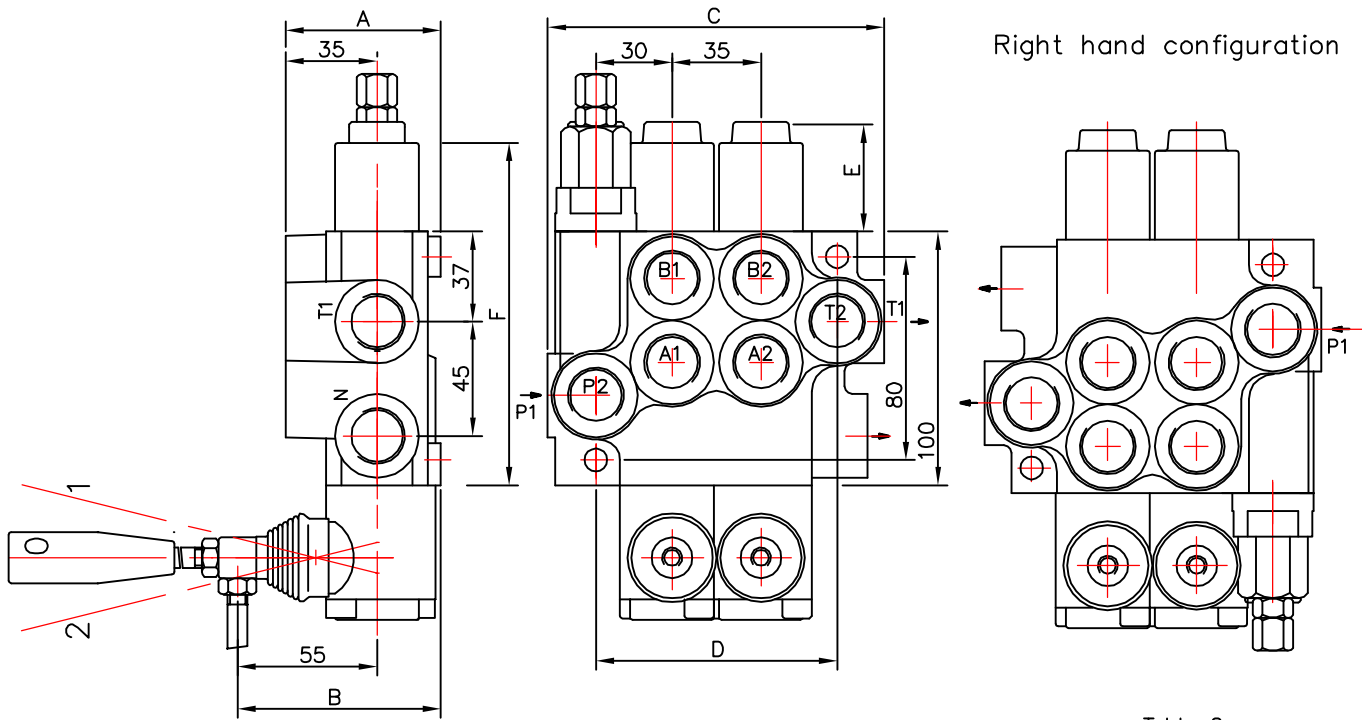


Table 1

	A	B	C	D	P1	P2	T1	T2
01Z50	60	80	85	60	+	-	+	-
02Z50	60	80	129	97	+	+	+	+
03Z50	60	80	164	132	+	+	+	+
04Z50	60	80	199	167	+	+	+	+
05Z50	60	80	234	202	+	+	+	+
06Z50	60	80	269	237	+	+	+	+
07Z50	60	80	304	272	+	+	+	+

Table 2

spool control фиксация золотника	E	F
1; 4; 5; 6; 7; 8; 9; 10; 11;	40	193
2; 3;	72	225
16	+	+

Table 3

code	spools
01	1
02	2
03	3

ets.

0 _____
 block with common check valve
 распределитель с общим клапаном
2 _____
 number of spools
 количество золотников
Z50 _____
 directional control valve type ...
 распределитель типа ...
R _____
 inlet high pressure – right
 вход давления с правой стороны
A 1 _____
 first spool distribution type
 характеристика первого золотника
A _____
 spool control/detend and etc./
 контрол золотника/фиксация и др./
1 _____
 second spool distribution type
 вид второго золотника
1 _____
 spool control/detend and estr./
 контрол золотника/фиксация и др./
G _____
 ports /treads/
 резьбовые отверстия
KZ1 _____
 general operation feature
 вид ручного управления
T _____
 with "teton"
 исполнение ручного управления с "метон"
H _____
 operation feature /pneumatic, .../
 грузое управление
E _____
 with electric switch
 с электрическим выключателем
C2 _____
 high pressure carry over
 продолжител потока высокого давления
11 _____
 connection ports in use
 присоединительные отверстия

Table 4

code	way of distribution ; распределение потока
1	parallel ; параллельное

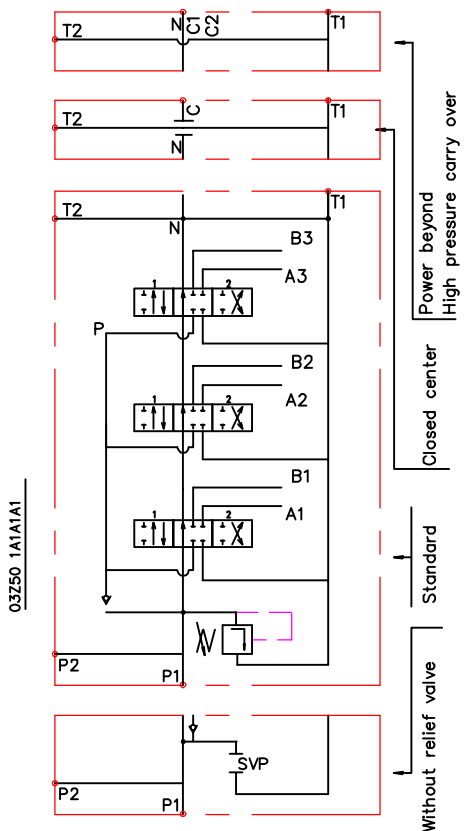
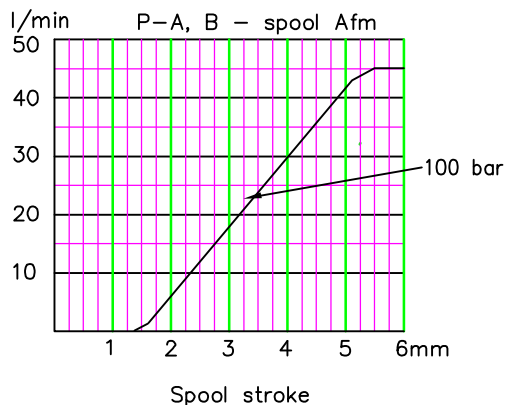


Table 5

code	spool type
A	
B	
C	
D	
E	
F	
G	
H	
M	
N	
O	
P	
Q	
R	
S	
T	
* K	
** L	

Table 6

code	spool control
1	
2	
3	
4	
5	
6	
7	
8	
9	
10	
11	



* только при вход слева (дыр) only for left hand configuration

** только при вход справа (дыр) only for right hand configuration

*** Spool Afm – fine metering

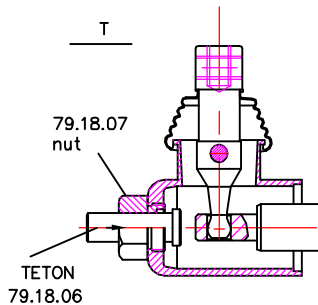
* 15	
* 16	
** 12	
** 13	

Table 7

code	с микро шалмер ; incorporated microswitch	
E		mikroswitch type Omron-V 165 I C5

Table 8

code	другое управление ; operation feature	
P		пневматическое on-off pneumatic control ; 5-10 bar ; ports NPTF 1/8-27
H		гидравлическое on-off hydraulic control ; pn = 5 - 20 bar ; ports G1/4



Z50

Table 9

code	ports (treads) ; присоединительные отверстия				
	P	A ; B	T	N	C2
M	M22x1.5	M18x1.5	M22x1.5	M22x1.5	M22x1.5
G	G1/2	G3/8	G1/2	G1/2	G1/2
S	7/8-14UNF	3/4-16UNF	7/8-14UNF	7/8-14UNF	7/8-14UNF

kind of hand control ; вид ручного управления

Table 10

code	ескиз feature	code	ескиз feature	code	ескиз feature
KZ		KY		KI	
KZ1		KY1		KI1	
KZ0		KY0		KI0	
KZ01		KY01		KI01	
-	without hand control ; без рычажная система управления				

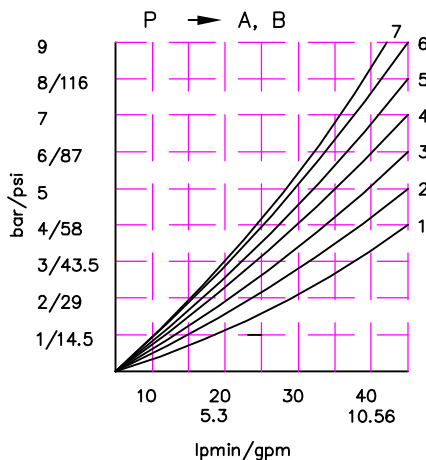
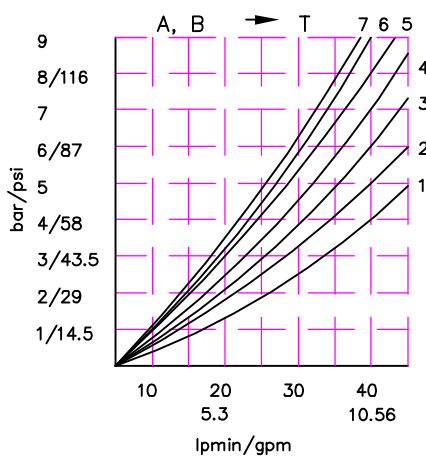
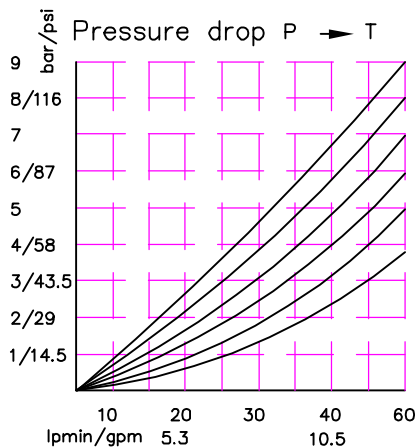


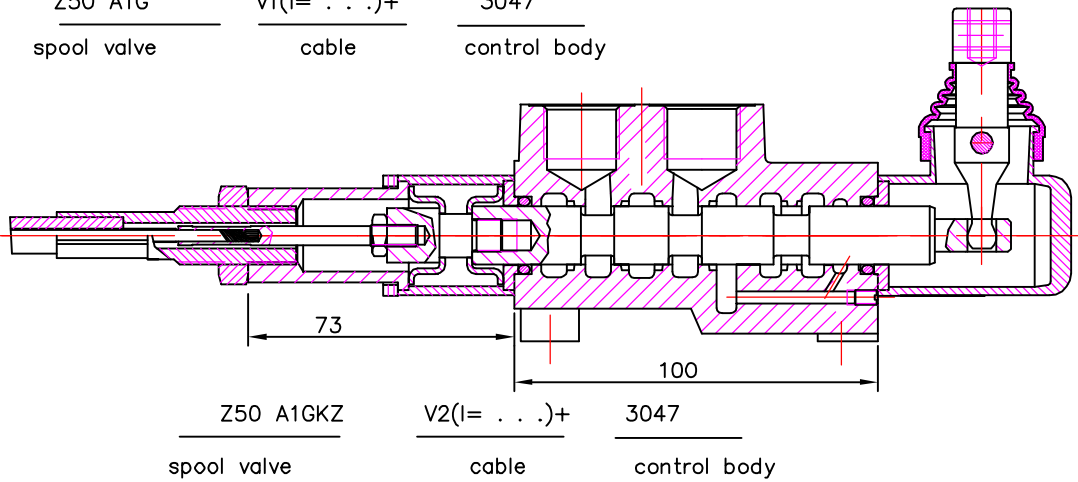
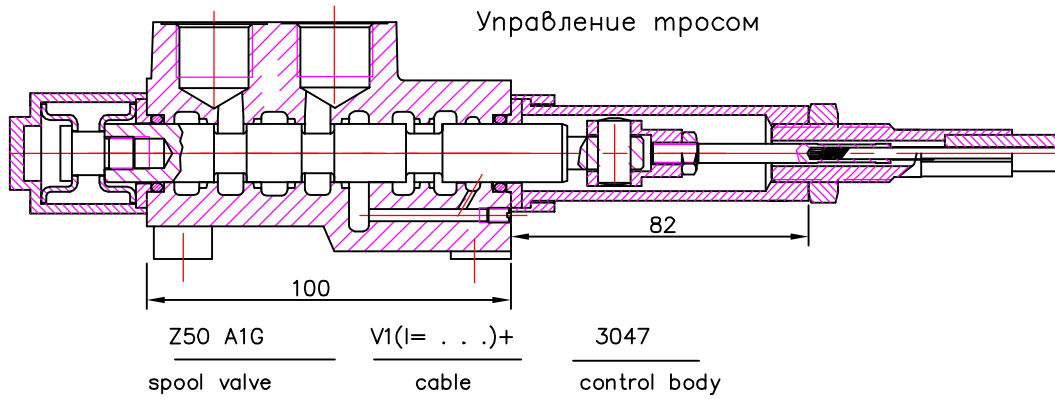
Table 11

code	вид продължение на дебита	
C	отвор "N" затворен closed center	
C2	отвор "N" продължава за следващ консуматор part for power beyond sleeve(carry over)	
-	отвор "N" е свързан с "T" without part for pressure carry over	
X	отвор "N" е винаги свързан с "T" power beyond ever to tank	

Table 12

code	used connection ports ; присоединительные отверстия
11	P1 ; T1
12	P1 ; T2
21	P2 ; T1
22	P2 ; T2

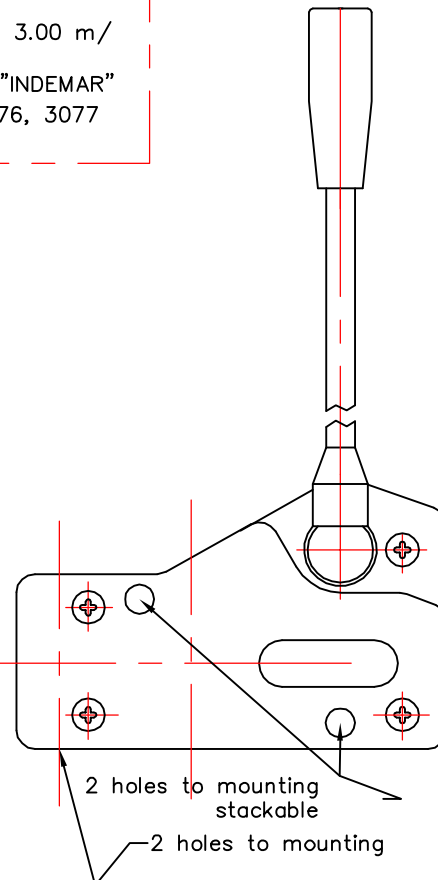
REMOTE CONTROLS
Управление тросом



Cable "INDEMAR" Cod. IT 3056 /l=1.00; 1.50; 2.00; 2.50; 3.00 m/
+control body "INDEMAR" code 3047, 3076, 3077

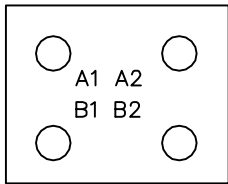
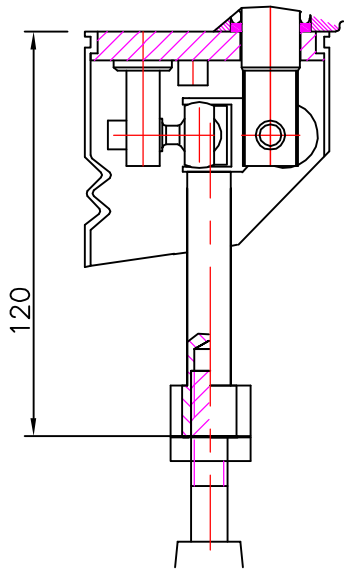
Technical specifications			
	3047	3076	3077
Stroke	13+13 mm	13+13 mm	13+13 mm
Max. load	45 kg	45 kg	45 kg
Level ratio	10:1	10:1	10:1
Lock in neutral	No	No	Yes
Antireverse lock	No	Yes	No
Body colour	Black	Black	Black
Cables type	Heavy Duty	Heavy Duty	Heavy Duty
Operating temperature	-40/+80C	-40/+80C	-40/+80C

High solidity controls for easy mounting on every type of distributor. They can be mounted stand alone or packed together. They use push-pull heavy duty cables that provide a positive smooth operating lever and are manufactured in three different models to meet different needs of Clients.

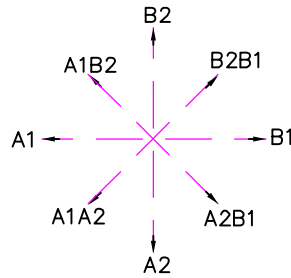
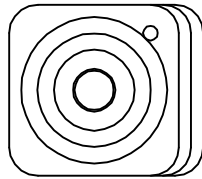


JOYSTICK "+"

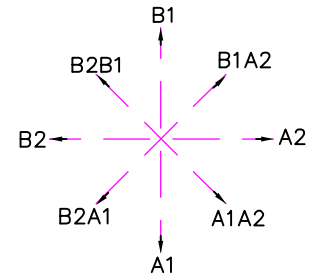
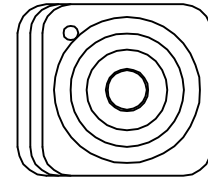
This control gives the possibility to operate, at the same time two spools with a "+" movement.



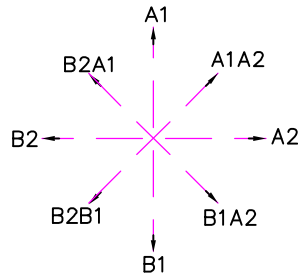
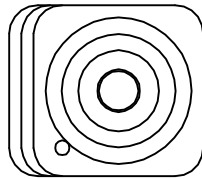
standard version 1



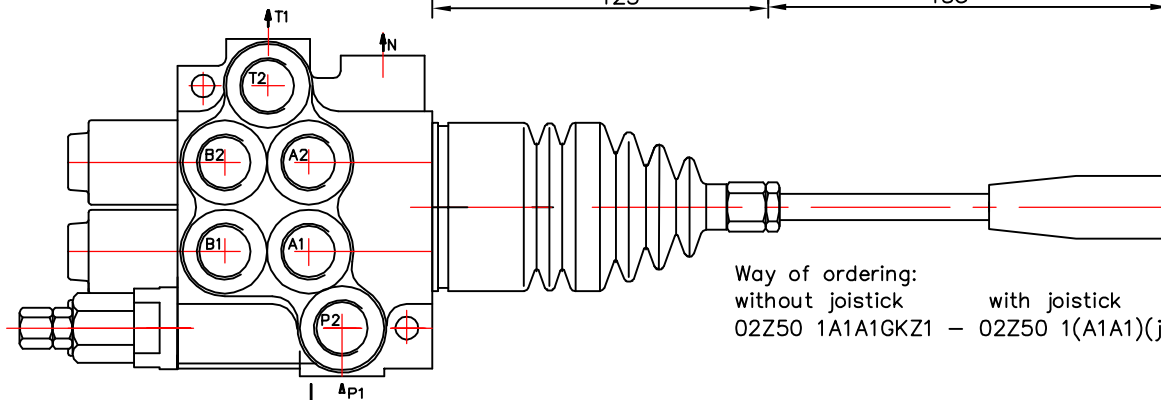
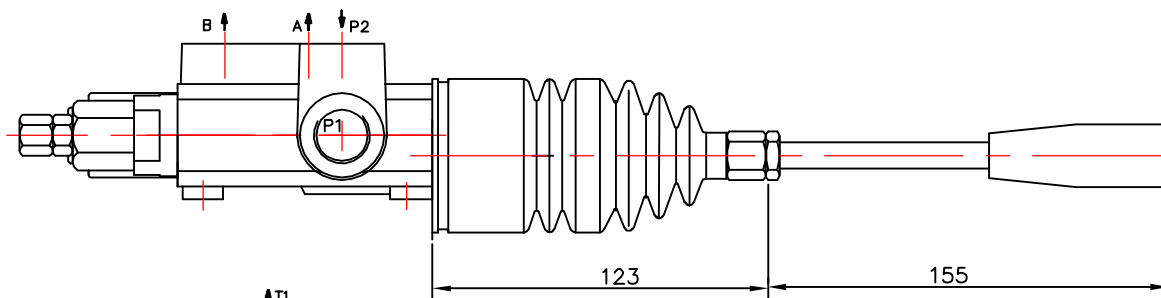
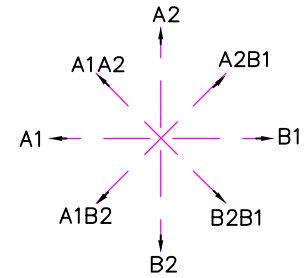
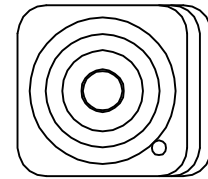
standard version 2



standard version 3



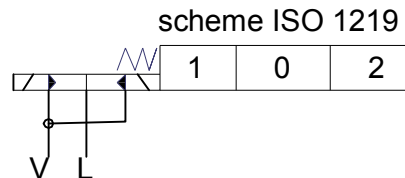
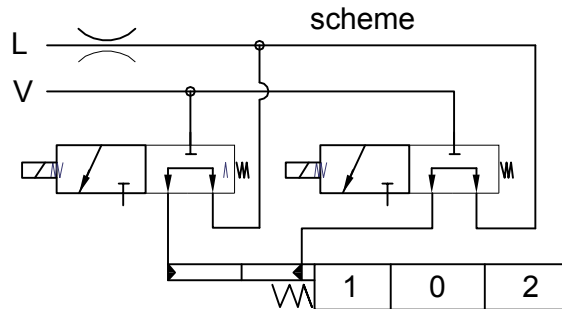
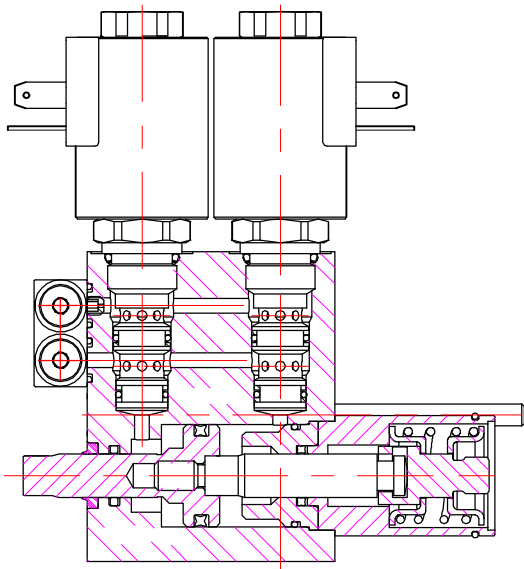
standard version 4



Way of ordering:
 without joystick with joystick
 02Z50 1A1A1GKZ1 - 02Z50 1(A1A1)(js+3)G

directional control valve Z50

ED3 – electro-hydraulic control ON-OFF
 Электрогидравлический контрол ON-OFF



Operating pressure min 10 bar(145 psi)
 max 50 bar(725 psi)
 Max operating pressure in L (T line) 25 bar(360 psi)

Ordering codes

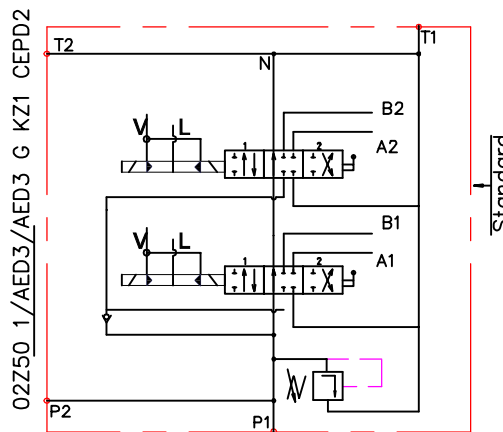
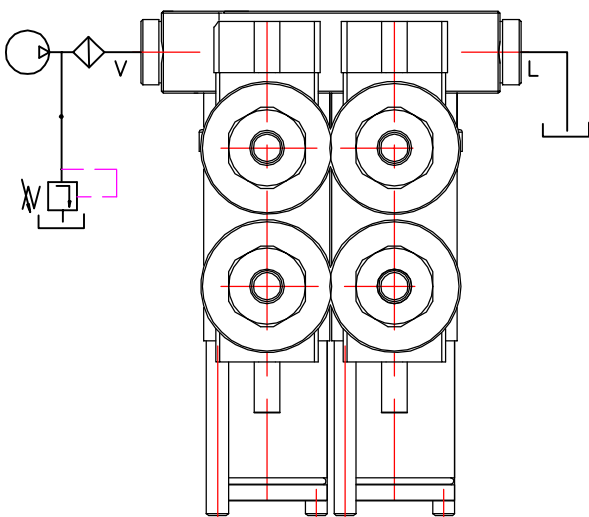
3-way solenoid valve—SV08—33
 coil P40ED3—G—12VDC
 coil P40ED3—G—24VDC

Solenoid operating features

Nominal voltage tolerance ±10%
 Power rating 24W
 Duty cycle 100 %

Collector kit for external pilot and drain – CEED...(1,2,3 ...)

Коллектор для внешнего питания управления и слив



Ordering example

02Z50-1/A1ED3/A1ED3 G KZ1-CEED2-12VDC

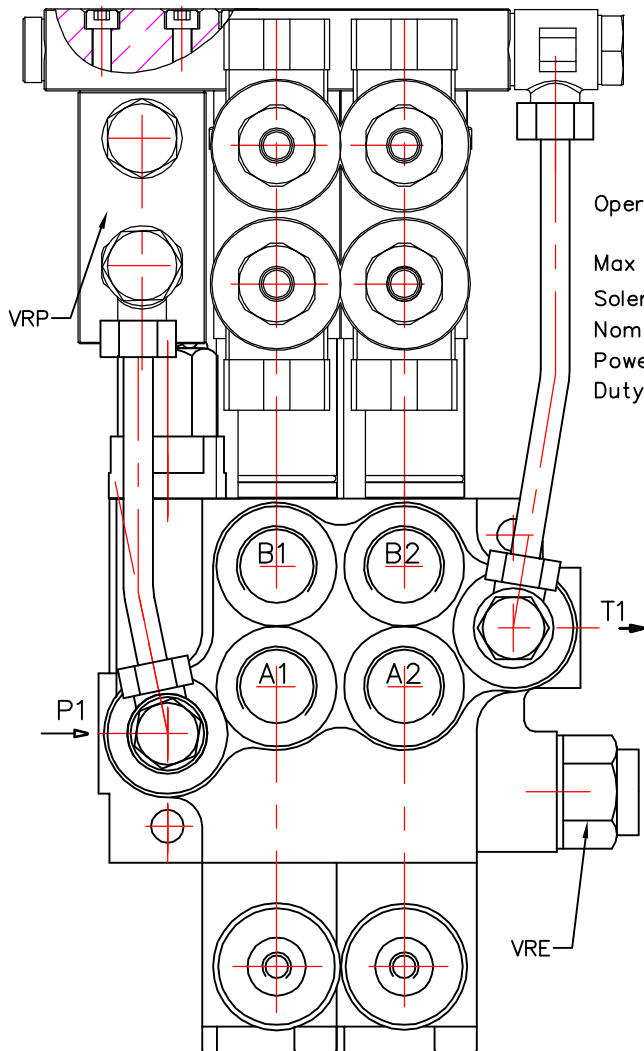
Ordering codes (BSP threads)

CEED1P40	Kit for 1 section
CEED2P40	Kit for 2 section
CEED3P40	Kit for 3 section
CEED4P40	Kit for 4 section
...	

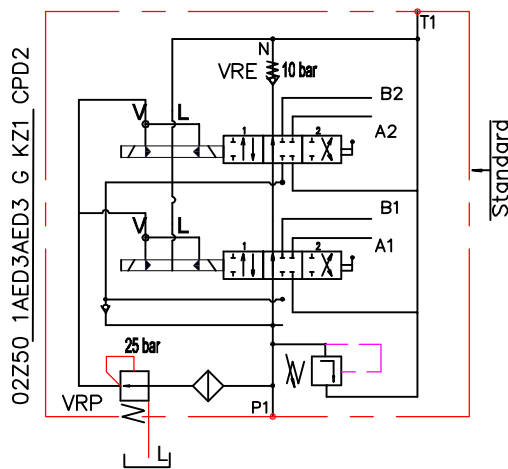
directional control valve Z50

ED3 – electro-hydraulic control ON-OFF
 Электрогидравлический контрол ON-OFF

Order codes
 3-wai solenoid valve-LSV2-08-3C
 coil P40ED3-G-12VDC
 coil P40ED3-G-24VDC



Operating pressure min 10 bar(145 psi)
 max 50 bar(725 psi)
 Max operating pressure in L (T line) 25 bar(360 psi)
 Solenoid operating features
 Nominal voltage tolerance ±10%
 Power rating 24W
 Duty cycle 100 %



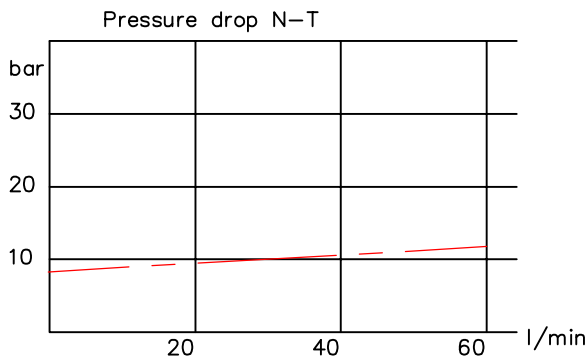
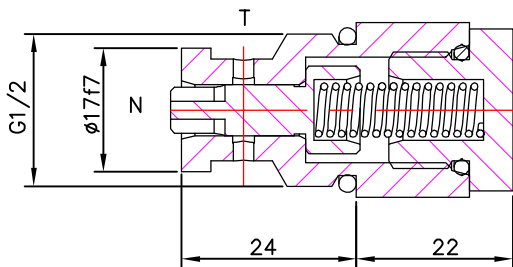
Ordering example

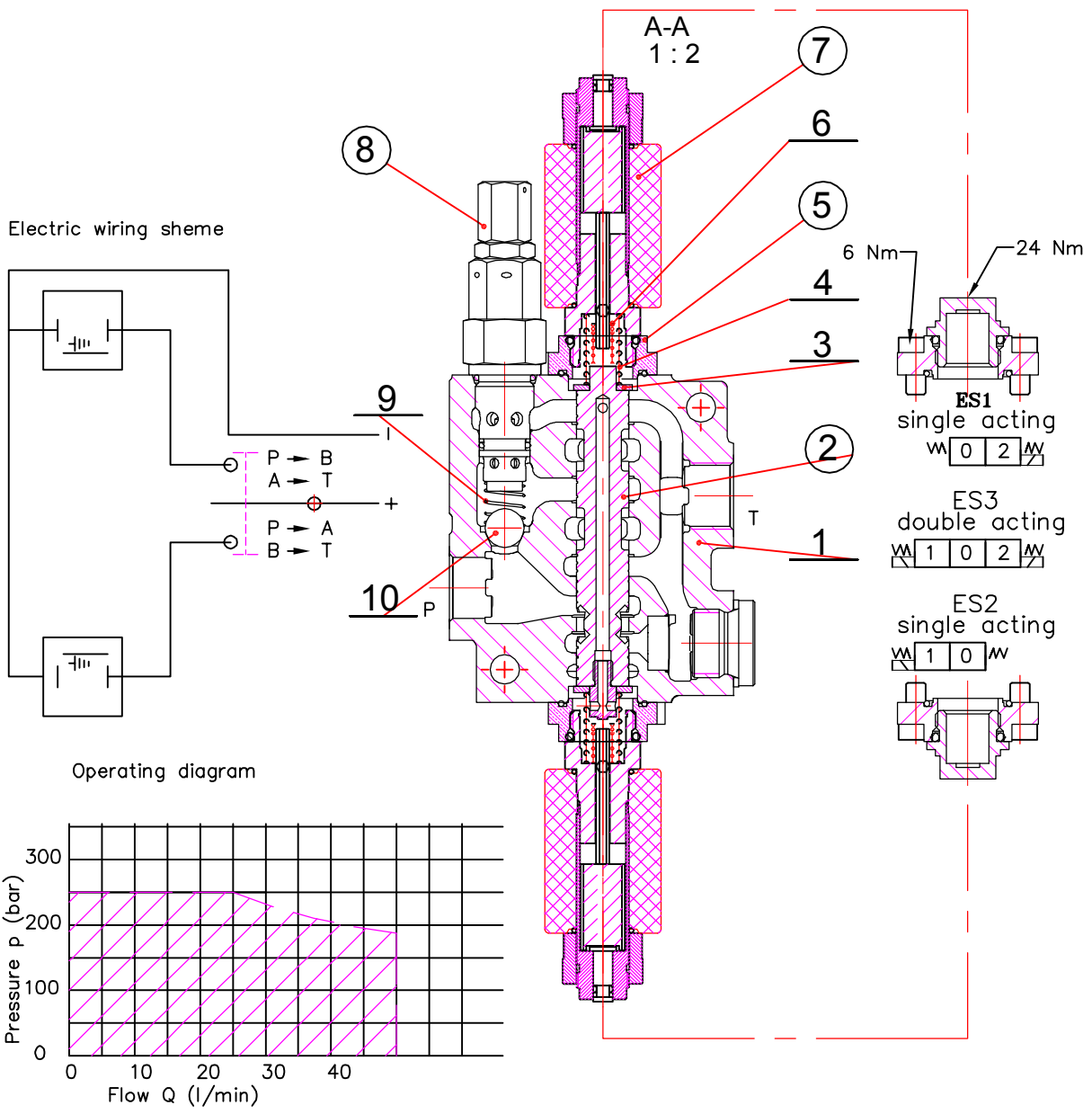
02Z50-VRP- 1/A1ED3/A1ED3 G KZ1-CED2-VRE-12VDC

Collector kit – BSP threads
 Ordering codes

CED1 Kit for 1 section
 CED2 Kit for 2 section
 CED3 Kit for 3 section
 CED4 Kit for 4 sektion

Back pressure valve VRE-P40
 Клапан подпорный на слив





Operating features
 Технические примечания

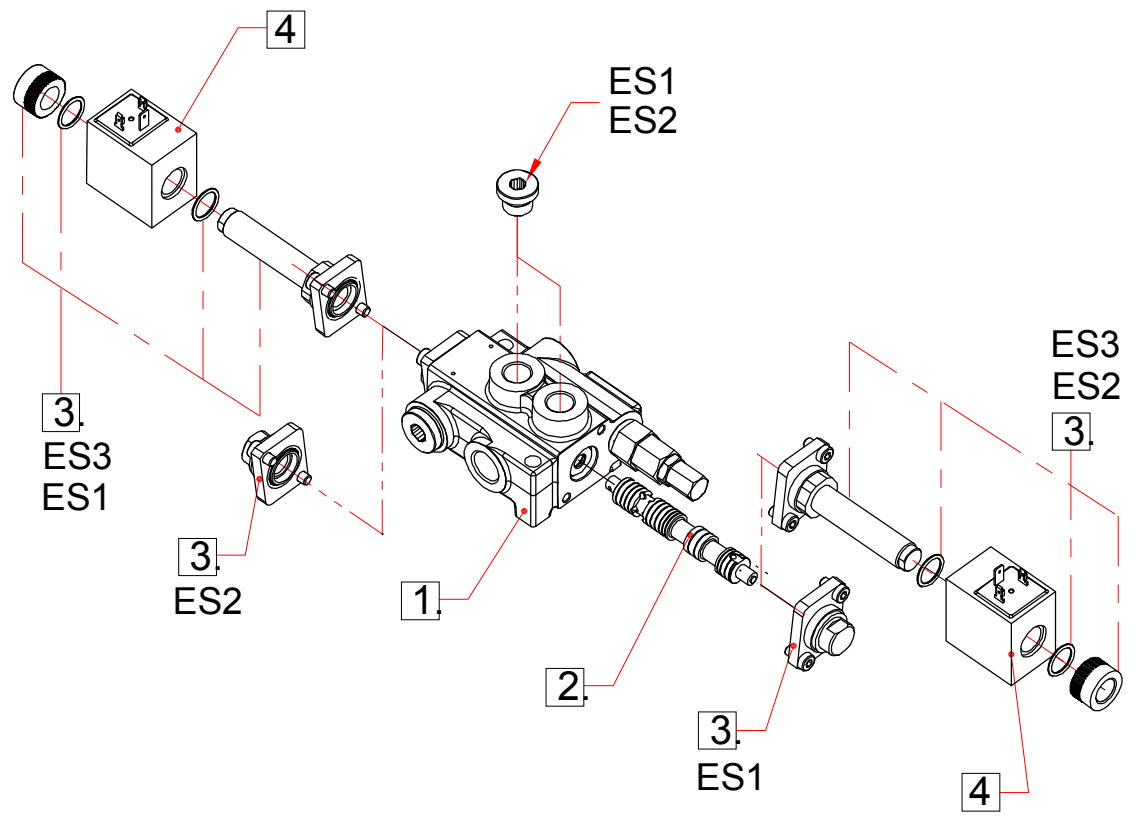
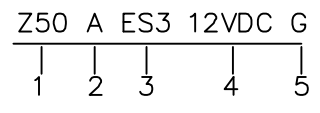
Control
 Internal leakage A(B) → T
 (p=120 bar, Viscosity=32 mm²/s : max 30 ccm/min)
 Fluid temperature – –20°C(short time) ... 80°C
 Max. back pressure on outlet port T – 25 bar(360 psi)

Coil
 Nominal voltage tolerance ±10%
 Power rating 37 W
 Coil insulation class H
 Duty cycle 100%
 Connector ISO 4400
 Emergency manual override

pos.	Part.No	Description	Quantity
10		Ball 12	1
9	79.00.03	Spring	1
8	79.04.00	Relief valve	1
7b	C35D012RC P01	Solenoid coil	2
7a	GM4060/BD	Solenoid Tube	2
6	542.02.00.07	Additional spring	2
5	542.02.03.00	Intermediate unit	2
4	542.02.00.04	Spring	2
3	542.02.00.02	Washer	2
2		Spool ...	1
1		Body ...	1

Solenoid direct control with spring return to neutral position.
Needs special spools and special body Z50.

ORDERING EXAMPLE



1.Body kit

Type	Description
Z50	1 spool
02Z50	2 spool
03Z50	3 spool
04Z50	4 spool
05Z50	5 spool
06Z50	6 spool

3.Control kit

Type	Description
ES1	Single acting P – A with spring return in neutral position
ES2	Single acting P – B with spring return in neutral position
ES3	Double acting P – A (B) with spring return in neutral position

2.Spool options

Type	Description
A	Double acting, 3 positions with A and B closed in neutral position
D	Double acting, 3 positions with A and B open to Tank in neutral position

4.Coils

Type	Description
(with connector ISO 4400)	
12VDC	Nominal voltage 12VDC
24VDC	Nominal voltage 24VDC

5.Threads

G	P, T – G1/2; A, B – G3/8
---	--------------------------